

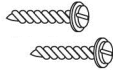
Roller Shade (Spring/Cordless)

Installation Instructions

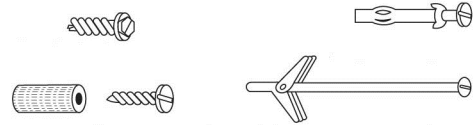
Please follow these Installation Instructions

You will need a pencil, tape measure, drill, screwdriver, pliers, and appropriate fasteners.

Step 1: Choose the Correct Fastener



1 1/2" #8 Hex Head
Wood Screws (Included)

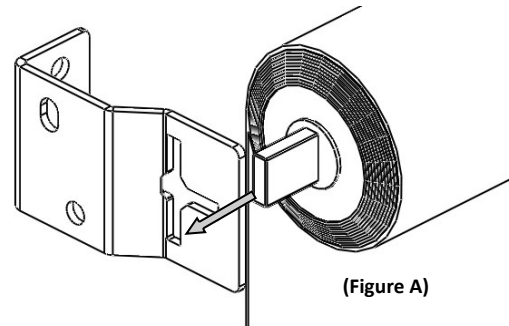


Alternative fasteners should be used for aluminum or
concrete installations
(Not Included with Blinds)

Step 2: Mark the Bracket Locations

Brackets may be mounted to the wall, ceiling, or inside of the window frame.

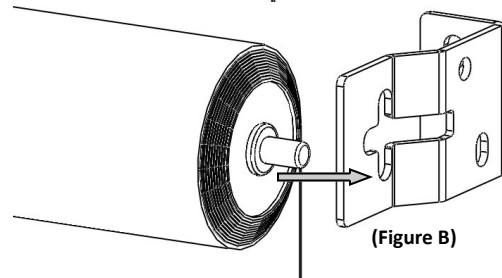
Critical Note: Installation brackets must be level to ensure that the fabric will roll up properly, allowing for smooth operation. Installation brackets must be placed such that the outer edge of the brackets are 1 3/8" wider than the fabric. Mark the brackets for mounting hole locations.



(Figure A)

Step 3: Bracket & Shade Installation

Brackets are not universal and have to be mounted correctly. Screw the brackets in place for inside, wall, or ceiling mount. For regular roll shades (fabric is rolled off the back of the roller), lift the shade up to the brackets with the fabric hanging closest to the window. For reverse roller shades (fabric is rolled off the front of the roller), lift the shade up to the brackets with the fabric hanging closest into the room.



(Figure B)

Set the spring end into the open slot in the bracket as shown in **Figure A**. Next secure the idler pin end into the bracket as shown in **Figure B**.

Please note: Although the spring mechanisms are pre-tensioned at the factory, occasionally, they will uncoil during shipping. If this occurs, the shade will not raise or lower properly. A simple adjustment of the spring can correct this problem.

To Tighten The Spring Tension:

1. Pull the shade down approximately three-quarters.
2. Remove the roller shade from its brackets. (*Be sure to have spring mechanism in lock position*)
3. Roll up the shade by hand being careful to roll the shade evenly on the tube.
4. Replace the roller shade in its brackets.
5. Repeat these steps if necessary until you achieve the desired tension.

To Loosen The Spring Tension:

1. Roll up the shade.
2. Remove the roller shade from its brackets. (*Be sure to have spring mechanism in lock position*)
3. Unroll the shade approximately halfway by hand.
4. Replace the roller shade in its brackets.
5. Repeat these steps if necessary until you achieve the desired tension.

