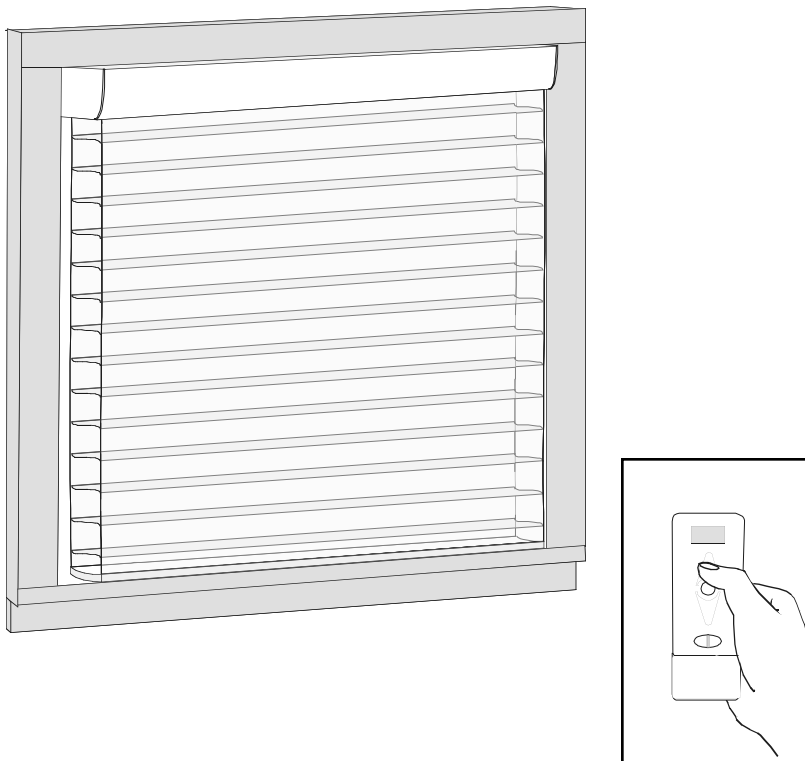


# Sheer Horizontal Shadings with Simplicity Motor



## Installation Instructions

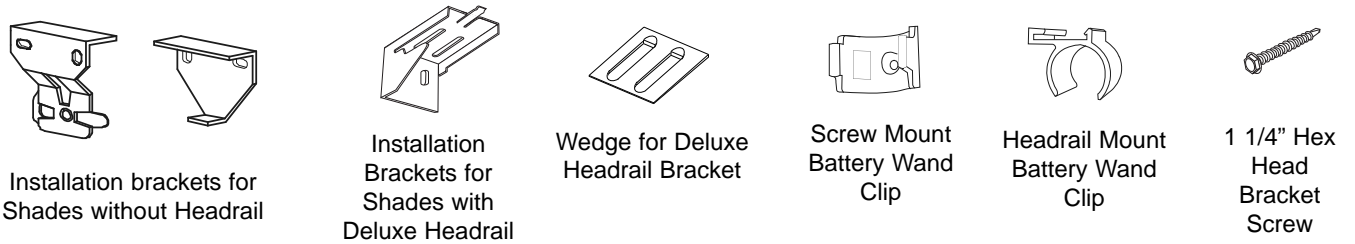
# Installation Instructions

## Simplicity Motorized Sheer Shadings

A few simple tools are required:

- Measuring tape
- Carpenters Level
- Power drill or Phillips head Screwdriver
- 1/4" Hex head and/or Phillips driver bit

Additional fasteners other than those sent with your shading may be required depending on the mounting surface. Wallboard and plaster require the use of anchors such as expansion or toggle bolts. Brick, tile or stone need special plugs and drill bits. Remember to always pre-drill holes in wood to avoid splitting.

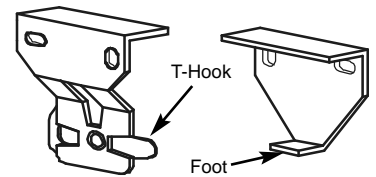


### Step 1. BRACKET INSTALLATION

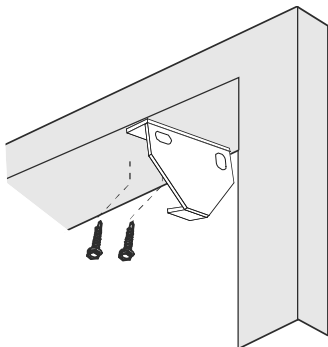
#### A) Shades without Headrail

The installation brackets are always mounted so that the inner surfaces face each other. It is very important that the brackets are mounted so that the shade is level when installed.

Idler Side Bracket      Motor Side Bracket

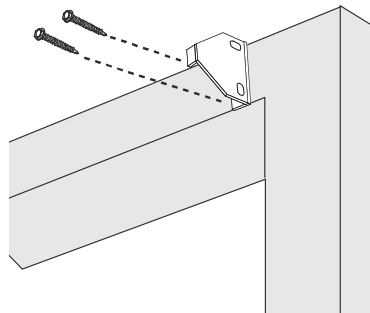


#### Inside Mount



The roller brackets can be mounted up against the window frame, or back against the window casing.

#### Outside Mount



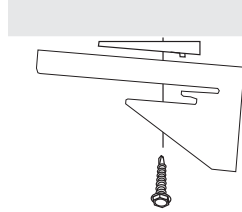
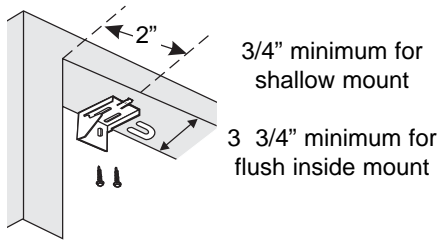
## Step 1. BRACKET INSTALLATION

### B) Shades with Deluxe Headrail

The End brackets should be located with centerlines 2" in from each end. Depending on the width of the shading, necessary additional brackets may be evenly spaced between the two end brackets.

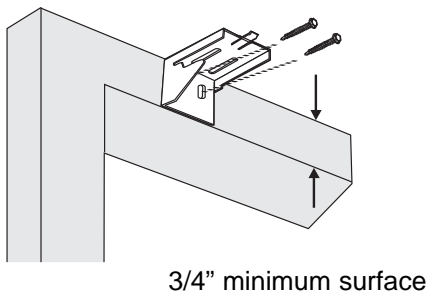
Shade width	# Brackets
Up to 40"	2
>40" - 72"	3
>72" - 84"	4
>84" - 114"	5

#### Inside Mount with Headrail



Low light gap wedges can be used to reduce the top light gap when the shade is mounted fully recessed. The wedge is placed between the mounting surface and the bracket with the tabs on the wedge facing down and the thick end of the wedge toward the back of the bracket.

#### Outside Mount with Headrail

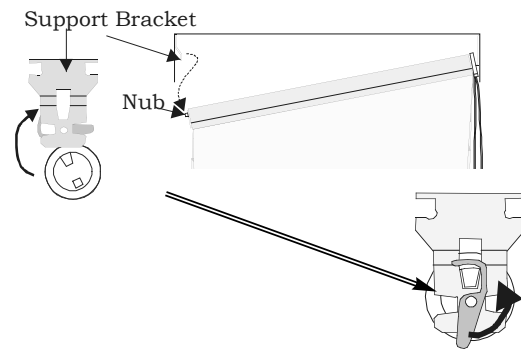


## Step 2. HANGING THE SHADE

### A) Shades without Headrail

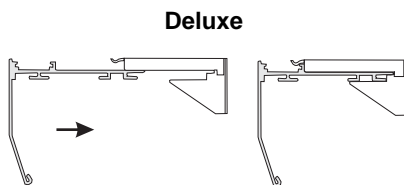
Once the brackets are secured and level, the fabric roll can be inserted. Make sure your hands are clean to avoid soiling the fabric.

Insert the foot of the motor-side bracket into the slotted center hole of the motor end of the fabric roll. The wire should be positioned so that it goes up on an inside mount or back on an outside mount. This will provide easy access to the setting key.



Set the post of the idler end into the V of the support bracket. Rotate the T-hook on the support bracket to lock in the post and secure the fabric roll.

### B) Shades with Headrail

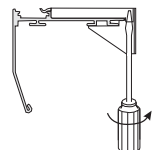


Push the rail back until it is fully engaged.

#### Un-Install Headrail

To remove the shading, partially lower the shading and insert a flat head screwdriver as shown. Twist the screwdriver until the headrail disengages from the bracket.

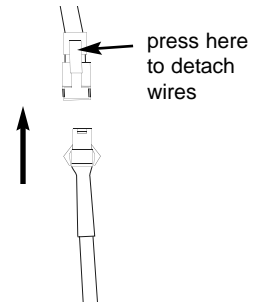
#### Deluxe



### Step 3. ATTACH BATTERY WAND

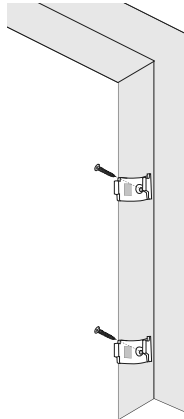
a. Plug the battery wand wire into the motor wire.

b. Noting the length of the wire, determine the best location for the battery wand. The wand may be mounted to the window casing, the wall or behind the fabric roll if space permits. Before mounting the wand make sure that the wand and excess wire will not interfere with the operation of the shade. Extension wires are available if needed.

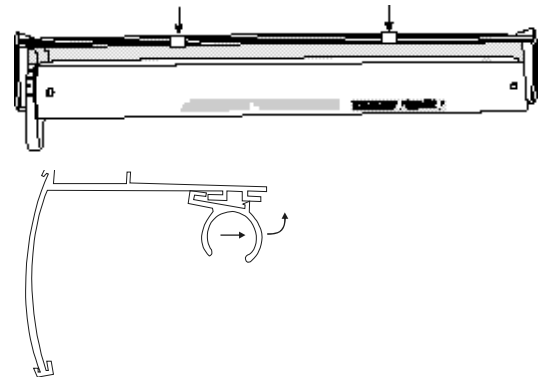


c. Attach wand clips

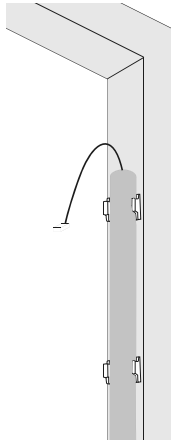
Wall mount - attach the wand clips with the screws provided. If necessary, remove shade to mount the clips in the desired location.



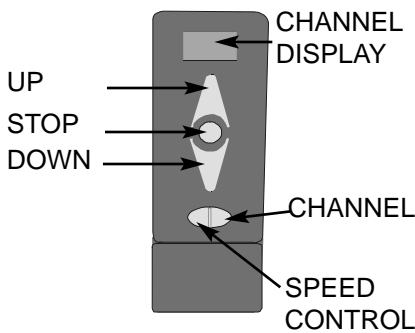
Headrail mount - attach the clips to the headrail as pictured



d. Press the wand into the clips.



### Step 4. TEST SHADE OPERATION



Multi-Channel Remote

Select the desired channel with the "Channel" key. The right side of the key will scroll through the channel sections. The left side of the key will set the motor speed. The selected channel will show in the display window. A "b" in the display indicates slow speed (slow speed is used to articulate vanes - see below).

Press the "Up" or "Down" keys to raise or lower the shade.

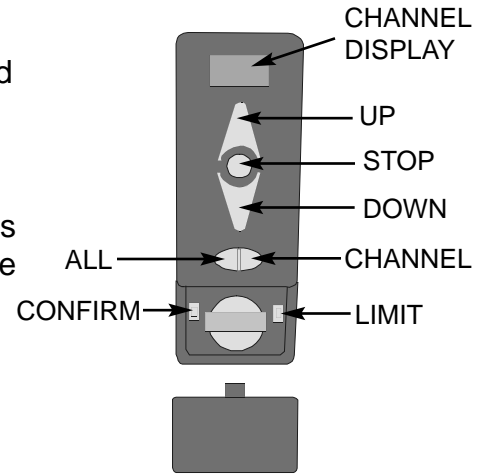
Press the "Stop" key to stop the shade anywhere along the travel.

To open/close the vanes - lower the shade all the way down. Switch the motor to slow speed by pressing the left side of the channel button. Press the up/down key to open/close the vanes.

## Step 5. ADJUST MOTOR LIMITS ON PRIMARY REMOTE

The lower and upper limits have been set at the factory. If you need to make adjustments to the limits, follow the instructions below.

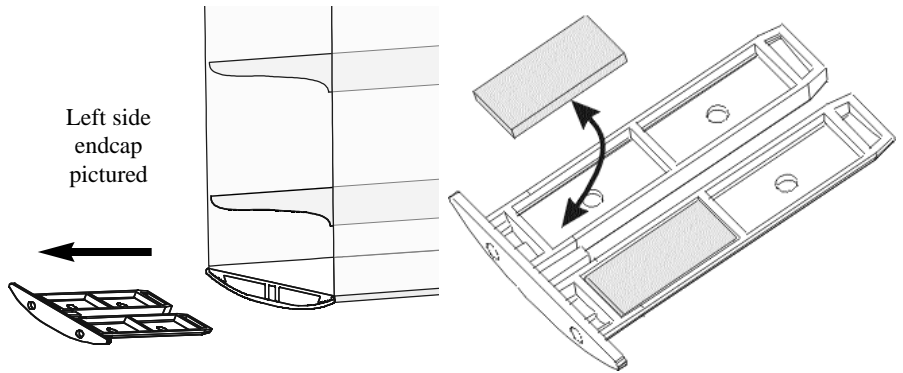
Use the “channel” key to select the channel for the shade that needs to be adjusted. Then follow the directions below. If only adjusting one shade on a channel, unplug the other shades.



		Operation	Result
A. Set lower limit	1	Hold “limit” key for 6 seconds	The motor begins to jog
	2	Release the key when jogging stops	The motor is ready for limit setting
	3	Press “Down” key	The motor will go down continuously
	4	When the motor is close to the end-point of the lower limit, press “Stop” key on the remote	The motor stops running
	5	Press either the “Up” or “Down” key	The motor runs step by step to adjust lower limit accurately
	6	Confirm the setting by pressing the “Confirm” key on the remote	The motor jogs and the setting is completed
B. Set upper limit	1	Press “Up” key on the remote transmitter	The motor will go up continuously
	2	When the motor is close to the end-point of the upper limit, press “Stop” key on the remote	The motor stops running
	3	Press either the “Up” or “Down” key	The motor runs step by step to adjust upper limit accurately
	4	Confirm the setting by pressing the “Confirm” key on the remote	The motor jogs and the setting is completed

**Step 6. SKEW ADJUSTMENT (if necessary)**

If the fabric is moving to one side (or one side of the bottom rail is higher than the other), slide the endcap from that higher side out of the rail. There are two weights in the endcap already, and two empty positions for new weights. Place a weight in one of the positions. Replace the endcap and check the operation again. If the shade still shifts, add the additional weight. If the shade still shifts, *remove* weights from the *other* endcap for additional adjustment.



**CLEANING AND CARE**

The soft and delicate feel of Sheer Horizontal Window Shadings belies the durability of the material. Sheer Horizontal Window Shadings are made of sturdy, knitted polyester fabrics and may be feather dusted or vacuumed at a low suction setting. Spots or stains can be rubbed clean with a damp sponge and mild soap. To avoid discoloration of the material, we recommend against the use of chemical cleaners. If necessary the shading may be ultrasonically cleaned by a professional.

All knitted fabrics experience weave variations due to heat, humidity and other room conditions. These variations can result in slight bowing, puckering and dimpling of the Sheer Horizontal material. The possible variations are minor and have been shown through case study not to detract from the beauty of this product.

**TROUBLE SHOOTING**

Problem	Solution
The motor does not work.	1. Check that the battery wand and motor are connected properly. 2. Confirm that the batteries are fresh
The motor continues to run in one direction.	The limit setting was unsuccessful and needs to be reset.
The motor stops working or works intermittently.	Replace the batteries in the battery wand with 8 fresh AA alkaline batteries.
The indicator light on the remote does not shine or the remote-controlling range becomes shorter.	Replace the battery in the remote (CR2032 lithium)

## **Advanced Programming**

### **REPLACE ORIGINAL REMOTE OR ADD ADDITIONAL REMOTE**

1. Press the "Setting" key on the motor until the shade jogs once. Release the button immediately after the first jog - this should be not more than 3 seconds.

2. Repeat this step for all shades that will be controlled by a single channel.

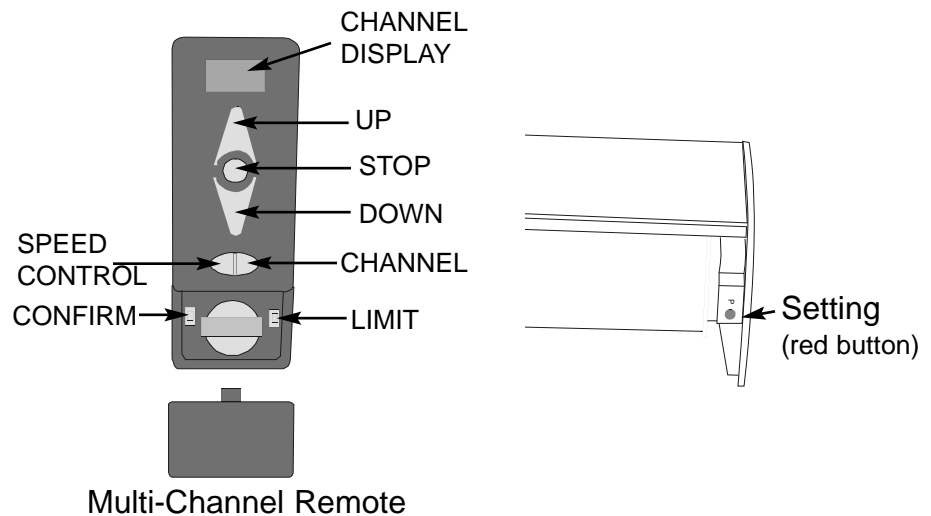
3. Select the channel that you want to program using the "Channel" selector key.

4. Press and hold the "Confirm" key until the shade(s) jogs once.

5. Repeat steps 1-4 to program the rest of the channels on a multi-channel remote.

6. To set the All function on the multi-channel remote, activate the setting keys (step 1) on all shades. Select Channel "AL" and then press confirm.

Please note: You will not be able to adjust the lower or upper limits with the secondary remote. If the original remote was lost and the limits need to be reset, follow the instructions in the next section.



### **REMOVE A SHADE FROM A REMOTE OR CHANNEL AND LINK IT TO A DIFFERENT REMOTE OR CHANNEL**

A. Unlink the motor from the remote - Note: this step also erases the lower and upper limits.

1. Press and hold the "Setting" key for 8 seconds. The motor will make a series of jogs.
2. Release the "Setting" key. The original remote or channels have been unlinked.

B. Link the motor to the new remote or channel

1. Follow the steps for replacing the remote above.
2. Set the lower and upper limits by following the instructions on page 4.