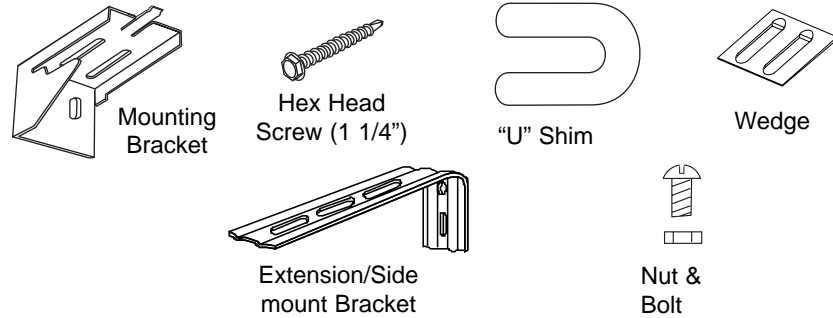


BASICS

A few simple tools are required:

- Measuring tape
- Carpenters Level
- Power drill or Phillips head Screwdriver
- 1/4" Hex head and/or Phillips driver bit

Additional fasteners other than those sent with your shading may be required depending on the mounting surface. Wallboard and plaster require the use of anchors such as expansion or toggle bolts. Brick, tile or stone need special plugs and drill bits. Remember to always pre-drill holes in wood to avoid splitting.

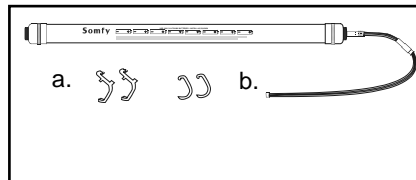


INSTALL BATTERY WAND AND SHADE

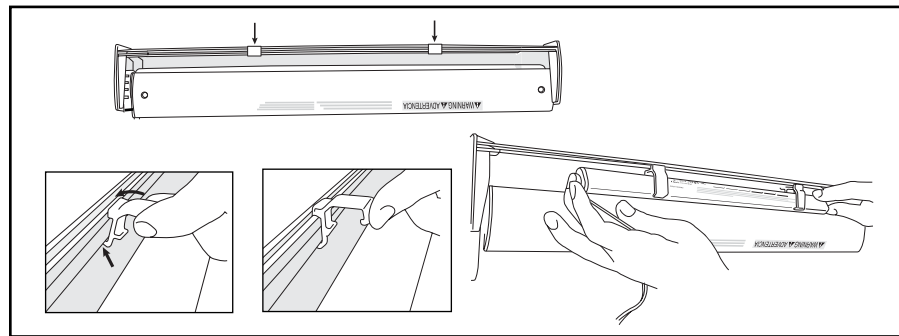
The position of the battery wand must be determined before installing the shade in the window.

Your new battery wand comes with two styles of mounting clips. Choose the correct mounting brackets best for your application.

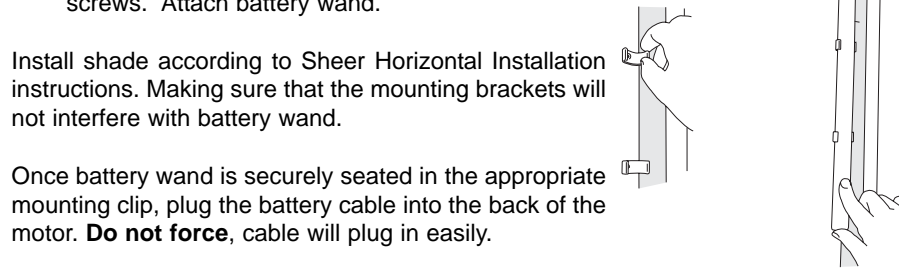
- a. Headrail Mount Clips
- b. Wall Mount Clips



a. Headrail Mount – attach the clips to the headrail as pictured. Attach battery wand.



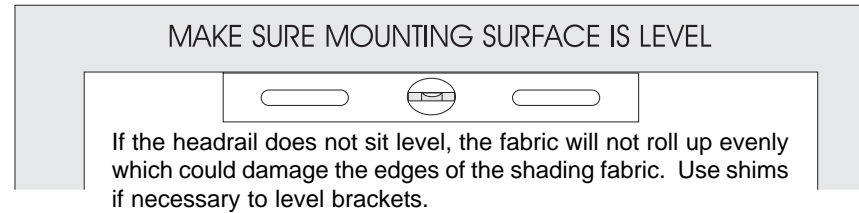
b. Wall Mount – attach clips to surface using included screws. Attach battery wand.



Install shade according to Sheer Horizontal Installation instructions. Making sure that the mounting brackets will not interfere with battery wand.

Once battery wand is securely seated in the appropriate mounting clip, plug the battery cable into the back of the motor. **Do not force**, cable will plug in easily.

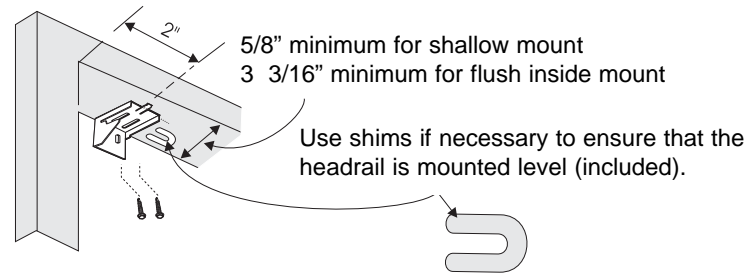
BRACKET INSTALLATION



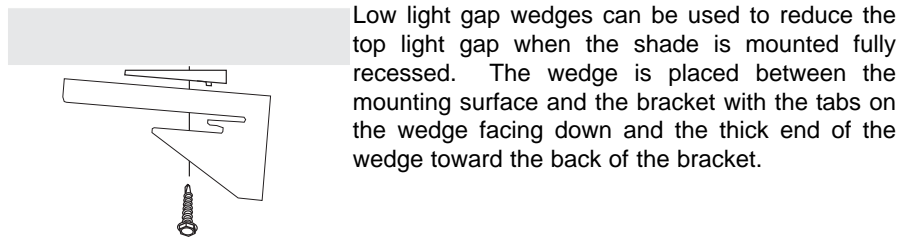
End brackets should be located with centerlines 2" in from each end. Depending on the width of the shading, additional brackets may be necessary evenly spaced between the two end brackets

Shade width	# of Brackets
Up to 40"	2
>40" - 72"	3
>72" - 84"	4
>84" - 114"	5

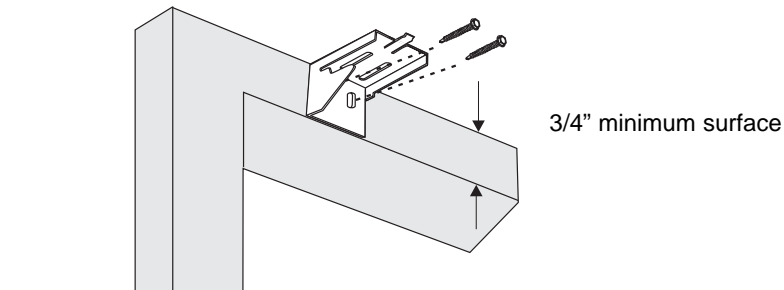
Inside Mount



Fully Recessed Inside Mount

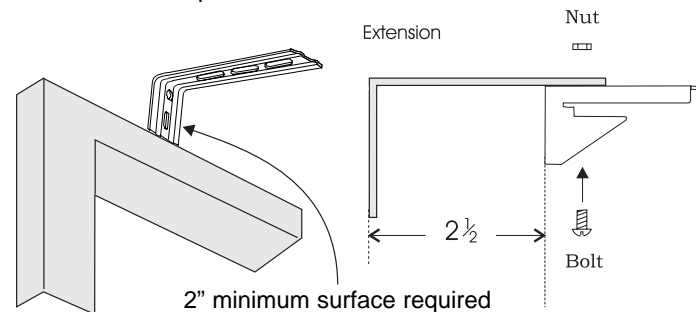


Outside Mount



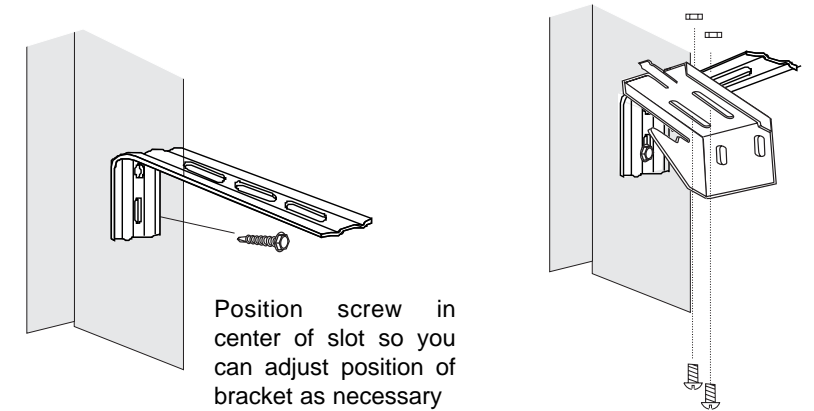
Extension Brackets (optional)

Optional Extension Brackets are used to project the back of the shading up to 2 1/2" from the mounting surface. Attach the Standard Mounting Bracket to the Extension Bracket with the nut and bolt provided.

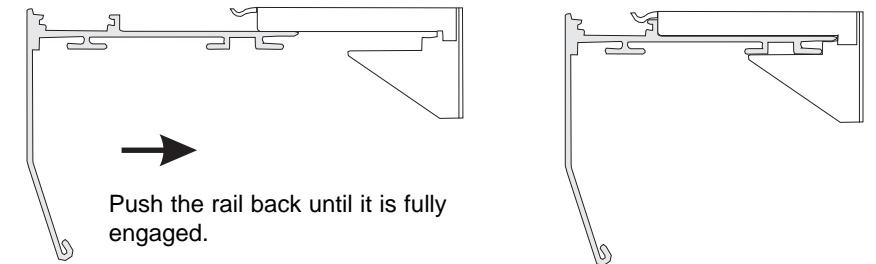


Side Mount (optional)

Measure from window sill up to desired mounting position on each side of the window frame. Mark position. Mount Side Mount Brackets on each side of window frame as shown. Make sure to confirm that headrail will sit perfectly level. Once Side Mount Brackets are installed and properly positioned, attach the Standard Mounting Brackets using the nuts and bolts provided.

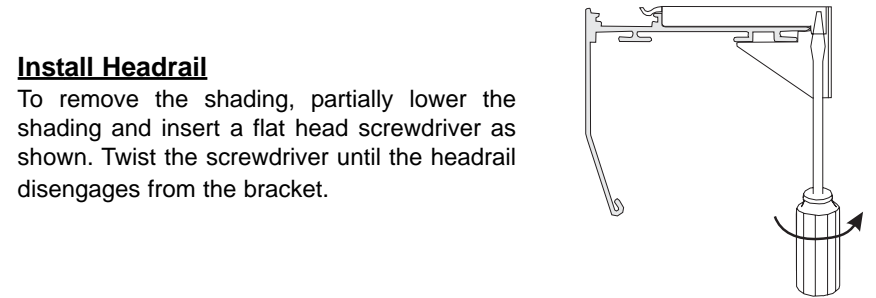


HANGING THE SHADE



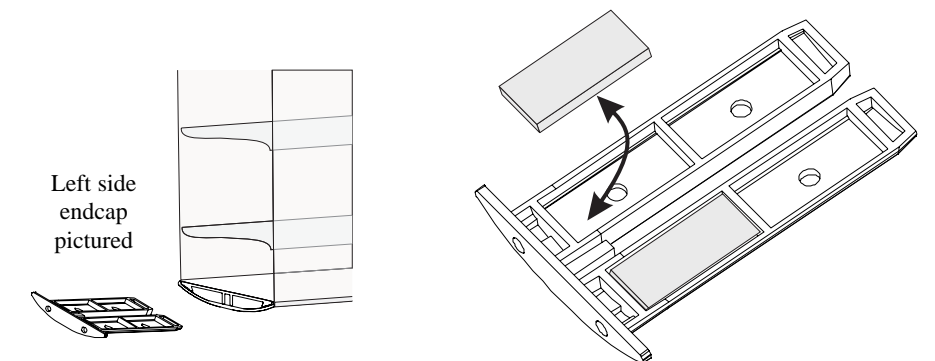
Install Headrail

To remove the shading, partially lower the shading and insert a flat head screwdriver as shown. Twist the screwdriver until the headrail disengages from the bracket.



EQUALIZATION ADJUSTMENT (FOR SHEER HORIZONTAL)

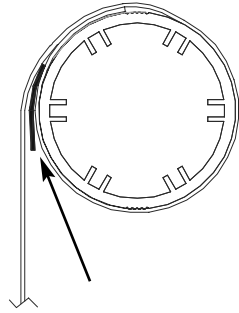
If the fabric is moving to one side (or one side of the bottom rail is higher than the other), slide the endcap from that higher side out of the rail. There are two weights in the endcap already, and two empty positions for new weights. Place a weight in one of the positions. Replace the endcap and check the operation again. If the shade still shifts, add the additional weight. If the shade still shifts, *remove* weights from the *other* endcap for additional adjustment.



SKEW ADJUSTMENT (FOR ROLLER SHADES)

If the shade does not raise evenly, first make sure the mounting brackets are mounted level with each other.

If the shade is level, pull the shade all of the way down. Prepare a strip of masking tape approximately 5" long. On the side of the shade opposite of the skewing direction, and as close to the end of the roller as possible, lift the fabric toward the back of the shade using your fingers and slide the tape with the sticky side facing the roller up as far as possible. The tape is to be running parallel to the roller.



Roll the shade up and check for skewing. If the shade is still skewing, add another strip of tape on top of the first one. If the shade is now skewing to the opposite direction, tear off about 1" of tape from the last strip installed. The tape is to be torn from the end closest to the center of the shade.

CLEANING AND CARE (FOR SHEER HORIZONTAL)

The soft and delicate feel of Sheer Horizontal Window Shadings belies the durability of the material. Sheer Horizontal Window Shadings are made of sturdy, knitted polyester fabrics and may be feather dusted or vacuumed at a low suction setting. Spots or stains can be rubbed clean with a damp sponge and mild soap. To avoid discoloration of the material, we recommend against the use of chemical cleaners. If necessary the shading may be ultrasonically cleaned by a professional.

All knitted fabrics experience weave variations due to heat, humidity and other room conditions. These variations can result in slight bowing, puckering and dimpling of the Sheer Horizontal material. The possible variations are minor and have been shown through case study not to detract from the beauty of this product.

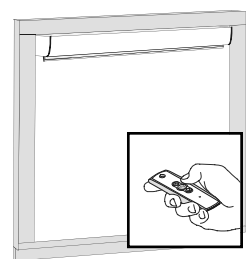
CLEANING AND CARE (FOR ROLLER SHADES)

Occasional light vacuuming with a soft bristle attachment or gentle feather dusting is all that is required to keep Serenade Roller Shades looking fresh and neat. Most Serenade Shades may also be ultrasonically cleaned, except those made with Phifer SheerWeave fabrics.

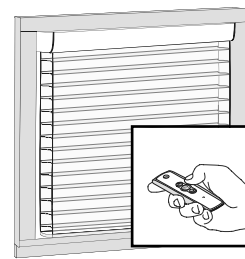
Phifer SheerWeave fabrics are easy to maintain and only require occasional vacuuming with a soft brush attachment or washing with mild soap. Soak a sponge or damp cloth with the soapy solution and gently wipe or blot the stain from the fabric. To dry, allow the shade to air dry completely before raising.

If the shading has any wrinkling, lower the shade and leave in the lowered position for 5 to 7 days. The heat from the sun will smooth out any light wrinkles.

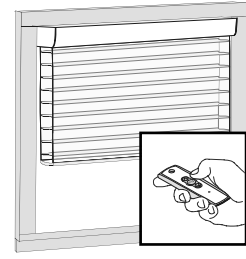
SHADE OPERATION



Press the down button will fully open the shade.



Pressing the up button will fully close the shade.



Pressing the middle button will bring the shade to the Intermediate Position.

Setting Favorites and Re-Adjusting Limits

NOTE: When adjusting limits on a shade, unplug all other motorized shades. When completed with adjusting limits, plug the motors back in.

Setting an Intermediate Shade Position (IP)

1) Press the **UP** or **DOWN** directional button on the previously addressed transmitter until the shade reaches a desired intermediate position, then press the **MY (Stop)** button to stop. If necessary adjust the desired position with a brief press of either the **UP** or **DOWN** button.

2) Press and hold the **MY (Stop)** button on the transmitter until the shade jogs. Intermediate position is now added to memory

3) Activate the shade intermediate position by pressing the **MY (Stop)** button from ANY shade position.

Note: Shade should be stationary prior to activating intermediate position function. If shade is actively moving (in-motion) MY (Stop) button should be pressed twice. To Delete: Activate shade to (IP) position, then press and hold the MY (Stop) button for 5 seconds.

Re-Adjusting Upper Limit (UP Stop Position)

1) Press the **UP** directional button on the transmitter. Shade will travel to the pre-set UP limit.

2) Once shade stops at pre-set up limit, press and hold the **UP and DOWN** buttons simultaneously on the transmitter until the shade jogs.

3) Press and hold either the **UP** or **DOWN** button on the transmitter to adjust shade to new position.

4) Press and hold the **MY (Stop)** button until the shade jogs. New Upper Limit (Up Stop Position) is now added to memory.

Re-Adjusting Lower Limit (DOWN Stop Position)

1) Press the **DOWN** directional button on the transmitter. Shade will travel to the pre-set DOWN limit.

2) Once shade stops at pre-set down limit, press and hold the **UP and DOWN** buttons simultaneously on the transmitter until the shade jogs.

3) Press and hold either the **UP** or **DOWN** button on the transmitter to adjust shade to new position.

4) Press and hold the **MY (Stop)** button until shade jogs. New lower limit (Down Stop Position) is now added to memory

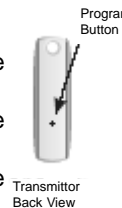
Addressing Transmitters or Specific Transmitter Channels

Adding Additional Transmitters (Single channel)

1) Using a paperclip, press and hold the **PROGRAM** button on the **previously addressed transmitter** until the shade "jogs."

2) Using a paperclip, press and hold the **PROGRAM** button on the Additional (new) transmitter until shade "jogs."

Additional (new) transmitter is now added to shade memory and can be used to operate shade.



Assigning Specific Channels to Shade (Multi-channel transmitters only)

1) Using a paperclip, press and hold the **PROGRAM** button on the **previously addressed transmitter** until the shade "jogs."

2) Select the desired channel (1-4 or all) by momentarily pressing the Channel Selector Button on the multi-channel transmitter.

3) Press and hold the **PROGRAM** button on the multi-channel transmitter until shade "jogs."

Additional (new) channel is now added to shade memory and can be used to operate shade.



Note: To Prevent unwanted Channel/Transmitter assignments, ALL PREVIOUSLY PROGRAMMED SHADES should be UNPLUGGED until Programming is complete.

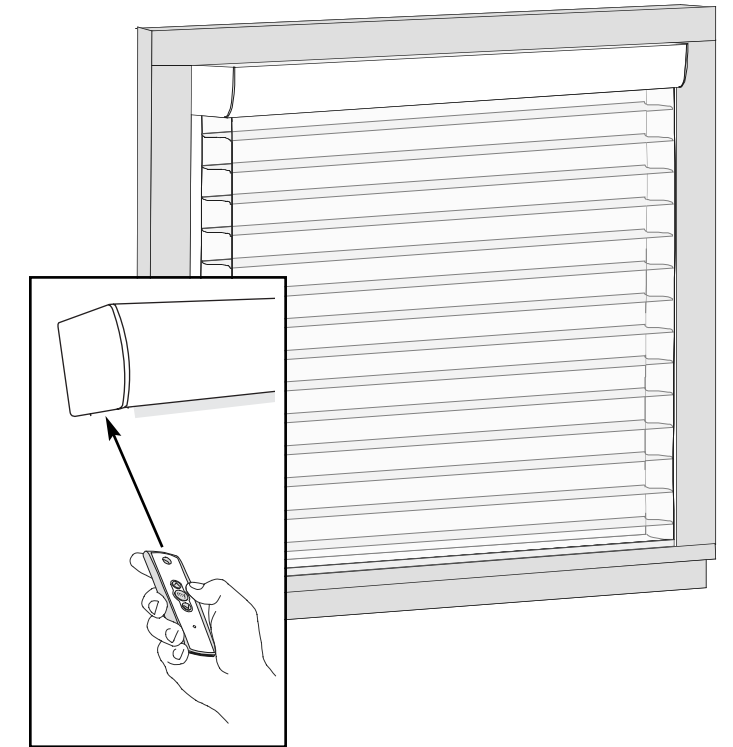
Deleting Specific Channels/Transmitters

1) Using a paperclip, press and hold the **PROGRAM** button on the **previously addressed transmitter** until the shade "jogs."

2) Select the desired channel (1-4 or all) or transmitter (single channel) to be deleted.

3) Press and hold the **PROGRAM** button on the transmitter until shade "jogs." Channel or transmitter is now deleted from shade memory and will not operate shade.

Installation Instructions



Motorized Sheer Horizontal And Roller Shades Window Shadings

Motorized Window Shades represent a design breakthrough in style, efficiency and function. This unique hardware system is designed to provide years of reliable service when properly installed. **Please take a few minutes to read through these instructions before beginning.**