

## BASICS

A few simple tools are required:

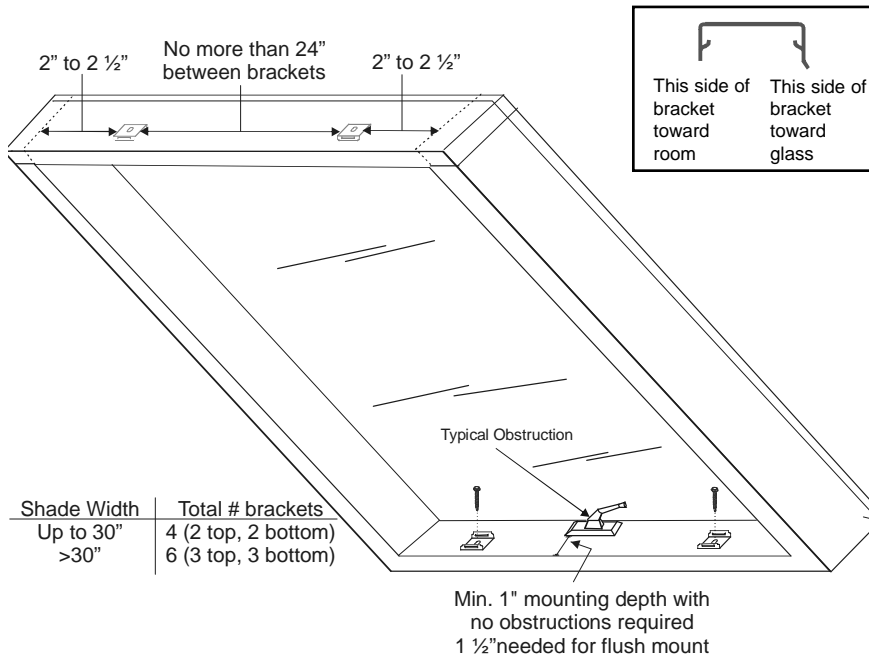
Measuring tape

Power drill or Phillips head screwdriver

1/4" hex head or phillips driver bit

## INSTALL PLEATED SHADE

1. Attach brackets using the screws provided.



2. Attach the shade to the brackets

a. Unroll the shade making sure that the cords do not tangle

b. Snap the top rail of the shade into the brackets by placing the back edge of the rail into the brackets.



Rotate the front of the rail until it snaps into place.

c. Attach the lower rail into the brackets using the same method.

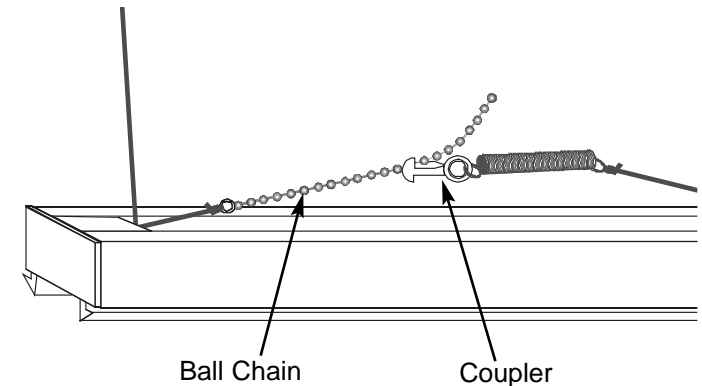
## TENSION ADJUSTMENT

The tension in these shades has been adjusted.

Re-adjustment should only be done if the shade is difficult to operate (too much tension) or if the shade droops excessively (too little tension).

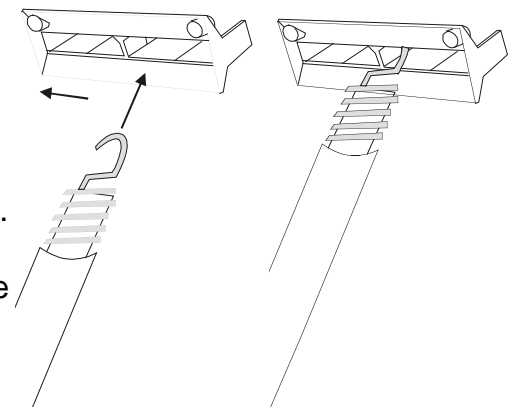
a. Tighten or loosen the tension by resetting the ball chain and coupler inside the lower rail.

b. Re-insert the ball chain and spring in the rail and check adjustment. Repeat as necessary.



## OPERATION

Insert the hook of the operation pole into one of the openings in the handle. Slide the hook over so that it grabs the center wall of the handle.



Use the pole to move the shade to the desired position.

# No Holes Pleated *Skylight Shading System*

## Installation Instructions

